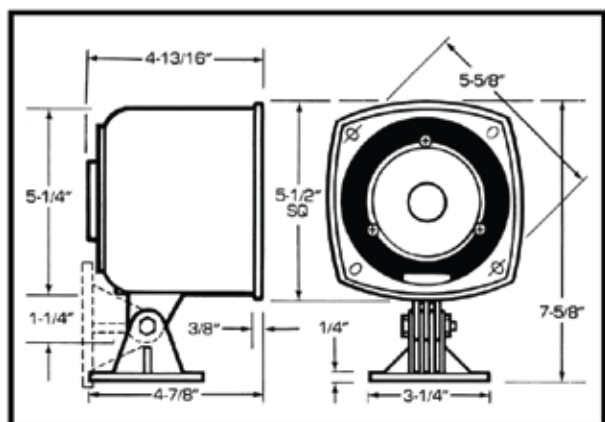


Mini Horn Loudspeaker

Features

- A small re-entrant horn package with a powerful and efficient compression driver.
- Designed for good speech intelligibility.
- Rated at 40 watts continuous duty using a 1-1/2" diameter 8 or 45 ohm voice coil on a rugged phenolic diaphragm.
- A heat sink coupled to the driver dissipates heat to maintain efficiency and endurance.
- Weather and corrosion resistant design uses stainless fasteners. Plating on driver meets 96-hour salt spray test. Other parts are made of impact and UV resistant ABS.
- Adjustable mounting base will attach to a 3-inch electrical box.
- Flange holes allow for recessed or concealed mounting.

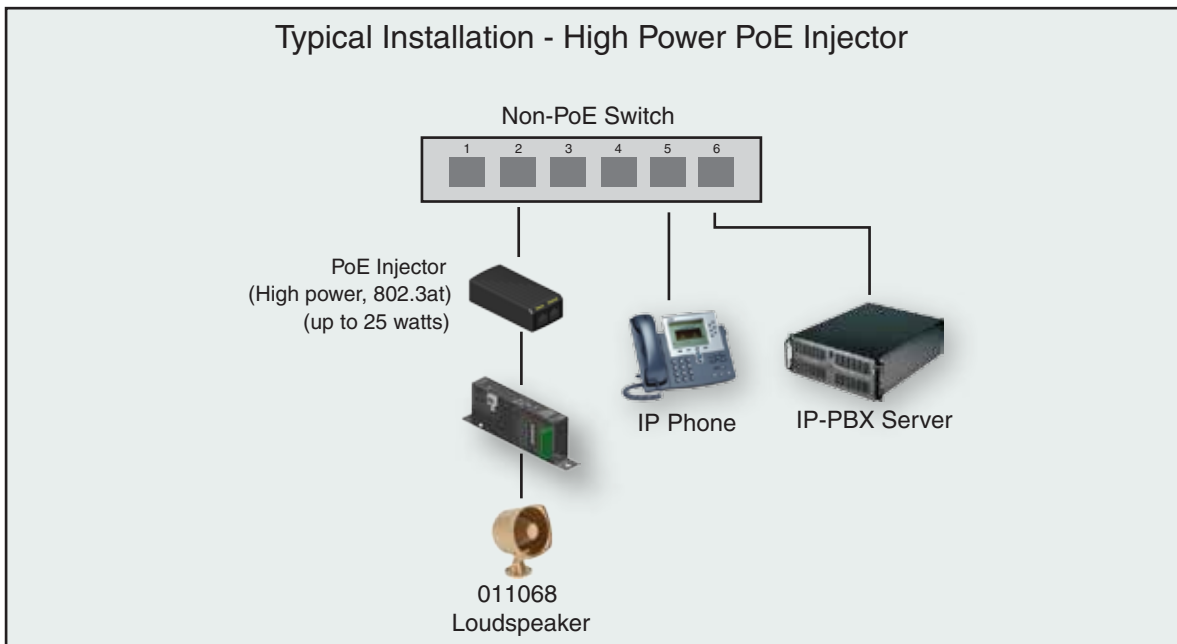
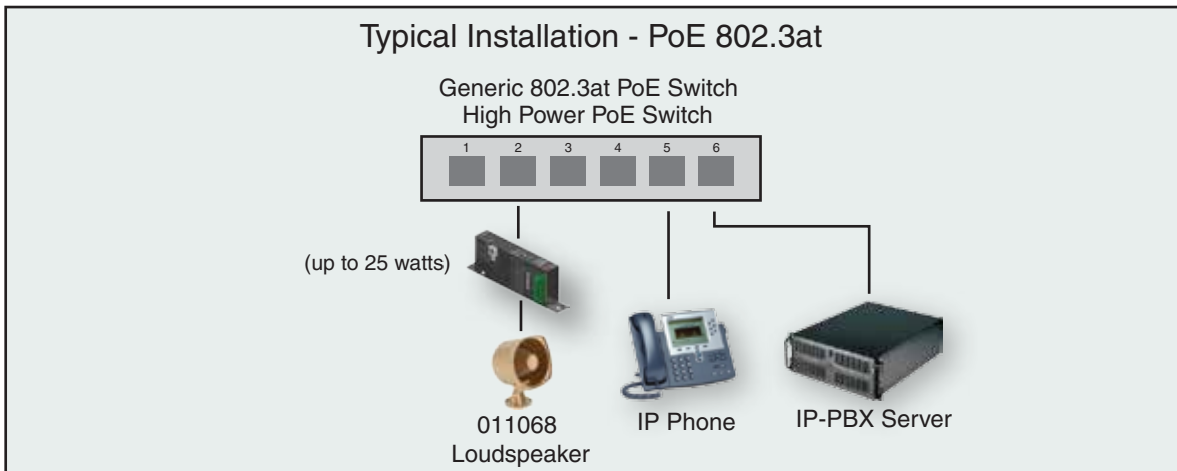
Dimensions



Specifications

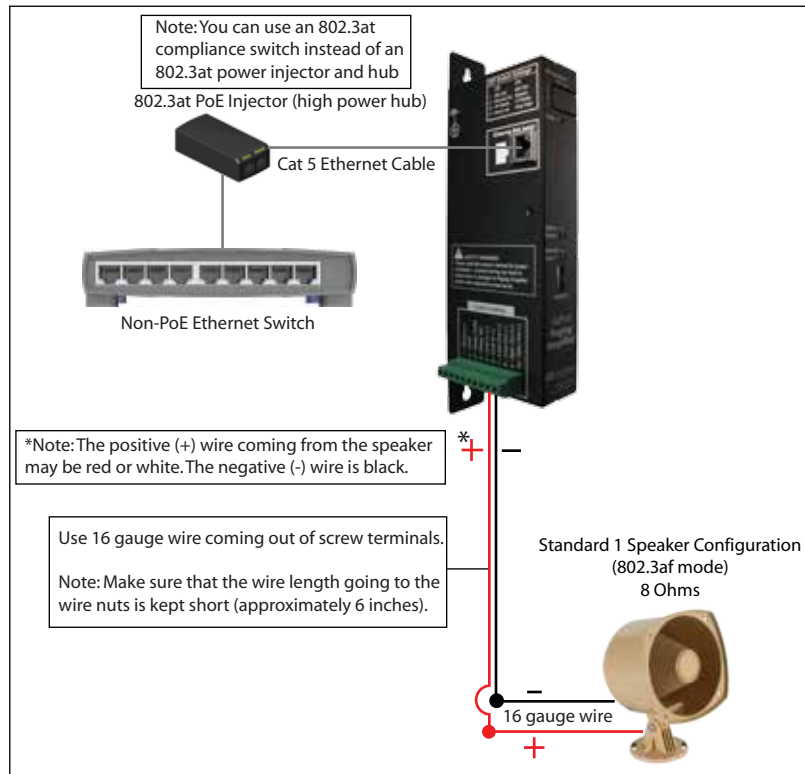
Input Impedance	8 ohms nominal
Power Handling	40 watts continuous duty
Frequency Range	700-6500 Hz (± 3 dB)
(On Axis)	500-7000 Hz (± 6 dB)
Sound Pressure Level (At 1 meter)	<ul style="list-style-type: none"> ● 1 watt, 500 -5000 Hz, averaged; 107 dB ● 1 watt, 1 octave at 2 kHz, averaged; 108 dB ● 40 watts, 1 octave at 2 kHz, averaged; 123 dB
Mounting Provisions	Adjustable base has four slots on 2-3/4 diameter for #8 screws. Horn flange has 4 holes on 5-5/8 diameter (4 squarepattern) for #8 screws.
IP Rating	IP54
Operating Temperature	-30 F to 160 F (-34 C to 71 C)
Dimensions	7 .6" H x 5.5" W x 4.8" D
Net Weight	2.5 lbs. (1.14 kg.)
Warranty	2 Years Limited
Boxed Weight	2.8 lbs.
Part Number	011068

Mini Horn Loudspeaker



Mini Horn Loudspeaker

Using the Amplified Outputs - Low Power Mode



Using the Amplified Outputs - High Power Mode

